

Wheel Profiling Machine



Application

Dressing and Profiling of Straight and Convex Diamond or CBN Grinding Wheels. Mounted on Wheel Pack

Salient Features:

- Ergonomically designed
- Operator friendly
- Easy accessibility for operation
- Easily accessible operator pendant
- Rigid design

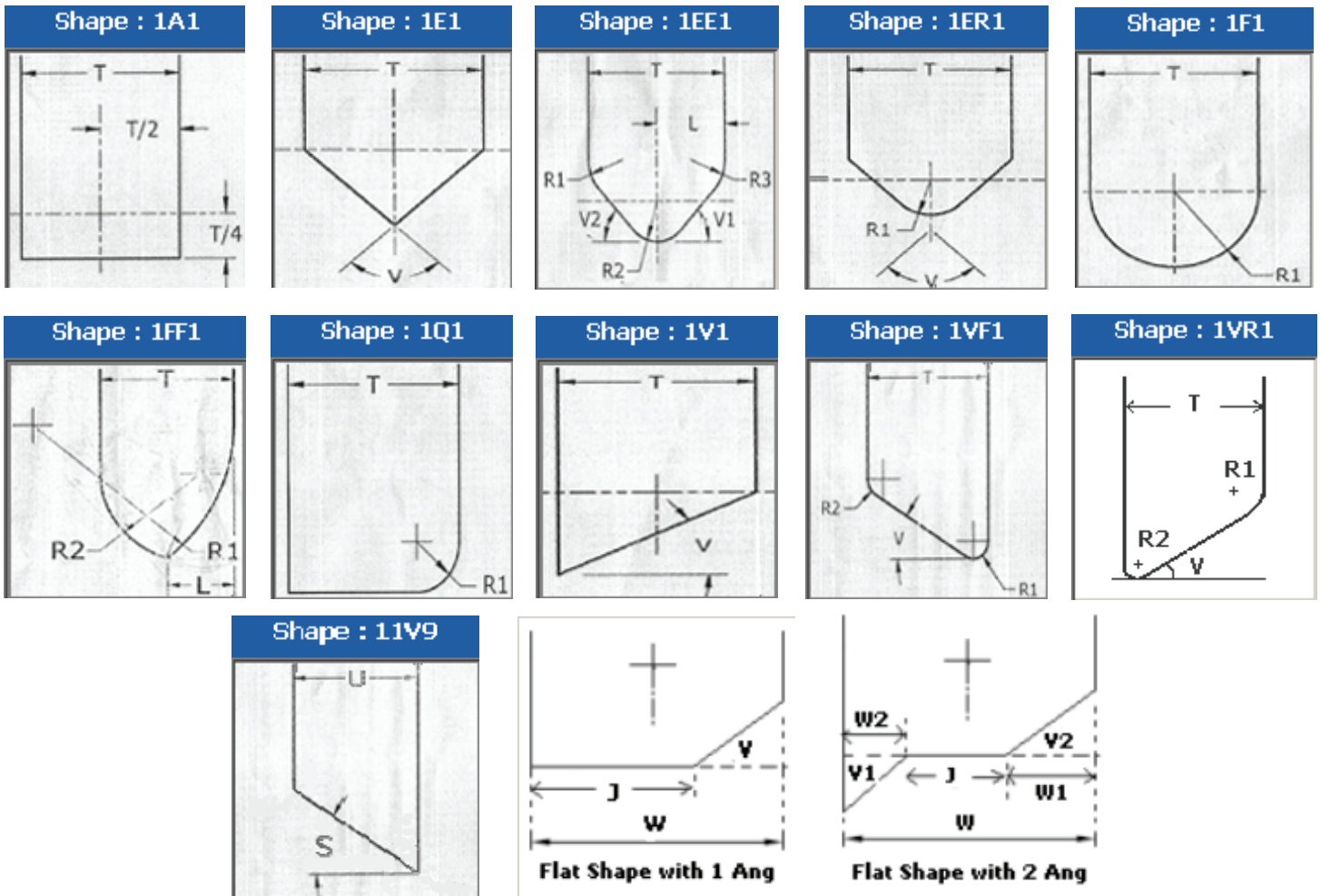
- Linier bearings for slide movement
- Stress relieved castings
- Precision work and wheel spindle
- Customized work spindle front nose

Optional features:

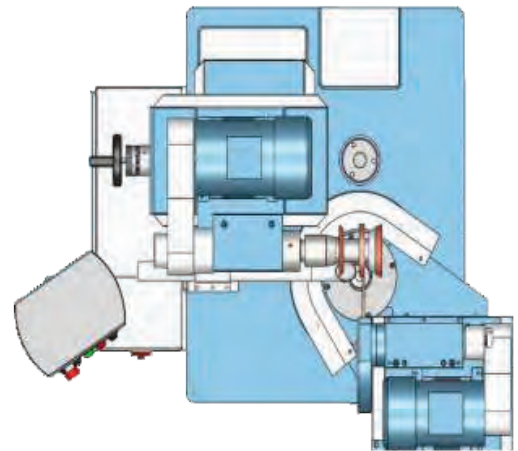
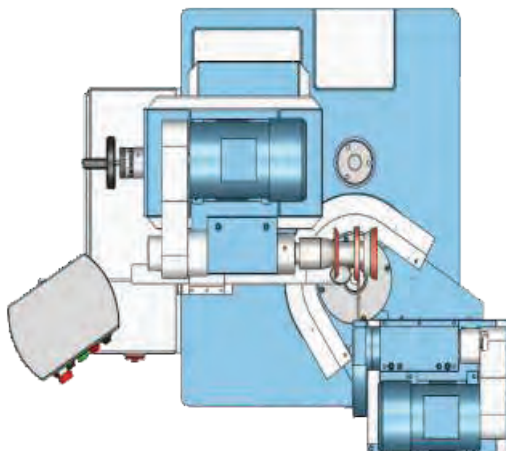
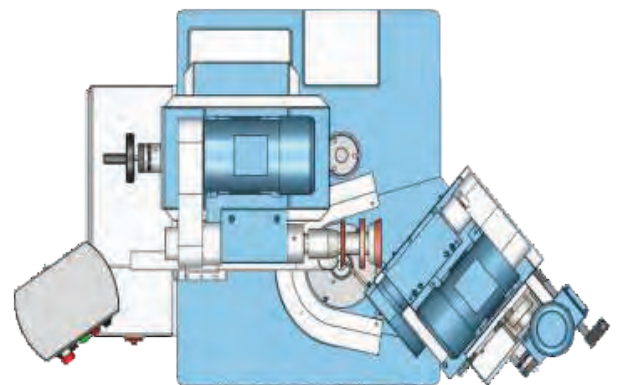
- Variable speed work and wheel spindle
- Motorised arrangement for work head axis
- Linear scale with digital read out for work head axis

Diamond/CBN Wheel		CDM - 8P	CDM - 8V
Max. Dia Ground	mm	160	160
Min. Dia Ground for Straight Wheels	mm	25	25
Max. width Ground for Straight Wheels	mm	20	20
Wheel Head / Dressing Head			
Dressing Spindle	mm	∅ 60 x 250	∅ 60 x 250
Dressing Wheel	mm	∅ 180 x ∅ 31.75 x 6/13	∅ 180 x ∅ 31.75 x 6/13
Speed	rpm	3000 (300-3000 Variable*)	3000 (300-3000 Variable*)
Oscillation Stroke	mm	40	40
Oscillation Speed (max.)	strokes/min.	40	40
Swivel Range		190° (± 95°)	190° (± 95°)
Motor Power	kW	0.37	0.37
Work Head			
Work Head Grinding Spindle	mm	∅ 60/80 x 250	∅ 60/80 x 250
Work Speed	rpm	950 (150-1500 Variable*)	950 (150-1500 Variable*)
Infeed X-axis	mm	70	70
Cross Traverse	mm	150	150
Motor Power	kw	0.55	0.55
Image Display		Optics	Video Vision
Magnification		10X, 20X	12X to 55X
Focal Adjustment	mm	± 20	± 20
Screen Size	mm	∅ 220	17"/19" Monitor
Software		-	Wendt Metrologix V1.0
Installation Data			
Dimensions	mm	1100 x 750 x 1780	1100 x 960 x 1780
Weight	kgs.	650	650

Standard Library of Shapes for CDM 8V



Wheel Pack Simulation



Delapena Grinding and Industrial Abrasives

Super Abrasives:

Delapena Grinding and Industrial Abrasives supply the widest range of Diamond and CBN Wheels as per International FEPA standards. When it comes to complex grinding or tough to machine materials, Delapena is your automatic choice. Our technological superiority comes from our access to the latest technology.



Cheltenham

To learn more about any of our products and services from Delapena Grinding and Industrial Abrasives visit www.delapena.co.uk or www.delapenaonline.com

for further details or a quotation call +44 (0) 1242 516341 or email abrasivesinfo@delapena.co.uk

Delapena Grinding and Industrial Abrasives Ltd

The Runnings | Cheltenham | Gloucestershire | GL51 9NJ | UK

Tel: +44 (0)1242 516341 | Fax: +44 (0)1242 221246

abrasivesinfo@delapena.co.uk | www.delapena.co.uk



Delapena is a independently owned British company

